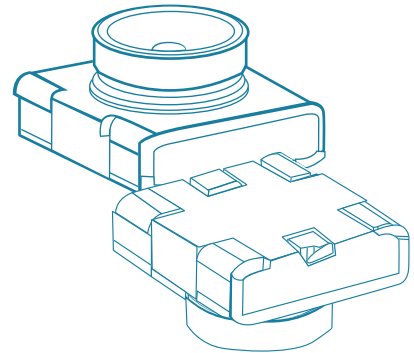


RF Switch Connector

The RS -series is board -mounted receptacle, designed for inspection of high frequency circuit. For verification of antenna and circuits performance, simply insert external corresponding plug into the receptacle, then re-connect the circuit from normal to the plug side . When removing the plug, circuit shall return to normal condition.

► Features ◀

- High performance and broad frequency range (DC to 6GHz) .
- Size only 3.0mmx3.0mmx1.8mm--most suitable for low-profile, as well as high density design.
- Tape and Reel packaging -- suitable for SMT and re-flow soldering.
- For verification antenna and circuit performance.
- MOQ : 3500pcs/Reel



► General Applications ◀

- Cellular Phone
- Cordless Phone
- Portable Wireless Devices
- Other Wireless & RF Measurement Equipment

► Specification ◀

	Item	Specification	Conditions
RATING	Rated Power	2W	
	Rated Voltage	300V AC rms	
	Rated Frequency	0-6GHz	
	Operating Temperature	-40 to +85 °C	
	Operating Humidity	90% RH Max.	
ELECTRIC	Insulation Resistance	100M Ω min.	100V DC
	Withstand Voltage	No flash and insulation breaking	300V AC rms /1min
	Contact Resistance	50m Ω Max.	MIL-STD 202, 10mA Max.
	VSWR	1.3 max. 0-3GHz	By network analyzer, un-mated
		1.4 max. 3-6GHz	
	Insertion losses	0.1 dB max.(0 to 2.5GHz)	By network analyzer, un-mating, un-mated
0.2 dB max.(2.5 to 6GHz)			
Isolation	20 dB min.(0 to 2.5GHz)	By network analyzer with corresponding plug	
	15 dB min.(2.5 to 6GHz)		